

# BOOMERANG™

## SURFACE MOUNT REBOUNDABLE DELINEATOR

### TD5200 SERIES

AASHTO/NTPEP CRASH TESTED. INNOVATIVE SURFACE MOUNT BASE IS DESIGNED FOR HIGH IMPACT WORK ZONES.



THE BOOMERANG RB BASE IS THE MOST REBOUNDABLE TRAFFIC CONTROL PRODUCT ON THE MARKET TODAY.

18" & 24" Q-Markers Available

#### FEATURES:

- Meets all state specifications for two-way, two-lane delineators.
- Polymer base WILL NOT crack or split.
- Three times the elasticity of conventional rubber bases.
- The BOOMERANG base transfers the stress from impacts to the base, giving longer service life to the HDPE tube.
- BOOMERANG is perfect for parking lots, islands, work zones, concrete barriers, gore zones and bridges.
- Posts available in 2.25" round, 3" flat and 3" round.

#### COLORS AVAILABLE:

Posts are available in fluorescent orange, yellow or white. Three D Traffic Works can manufacture this product to your desired color.

#### GENERAL INFORMATION:

General information is listed on the reverse side. The measurements provided are intended only as a source of information. They are given without guarantee and are not classified as a warranty. A specification will be sent to you upon request.



**TRANSUPPLY** Transportation Supply | 1401 Lavaca Street #40, Austin, TX 78701  
(866) 930-4604 | [sales@trans-supply.com](mailto:sales@trans-supply.com) | [www.trans-supply.com](http://www.trans-supply.com)

**MADE IN  
USA**

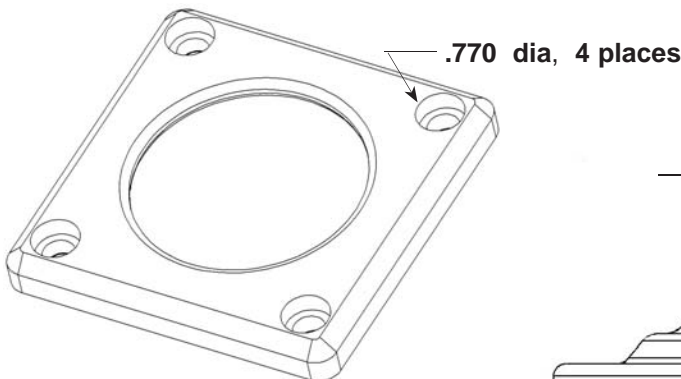
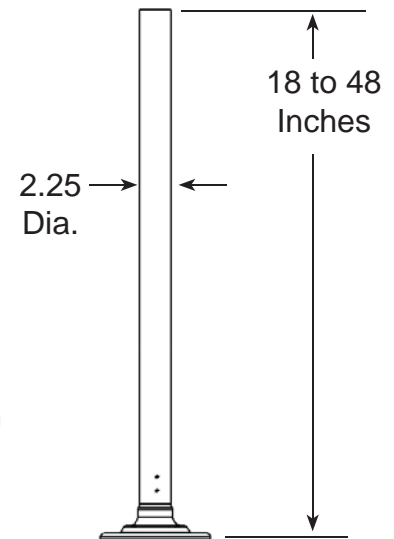
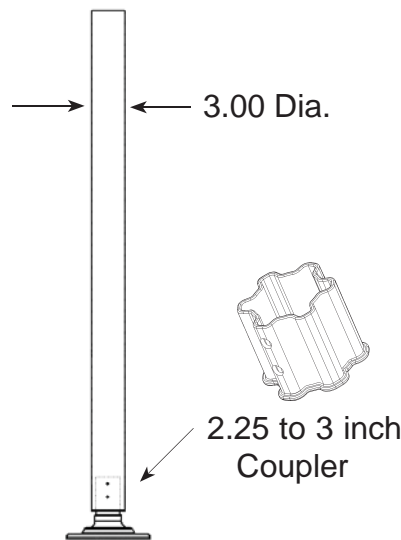


# TD5200 SERIES BOOMERANG™ SURFACE MOUNT REBOUNDABLE DELINATOR SPECIFICATIONS

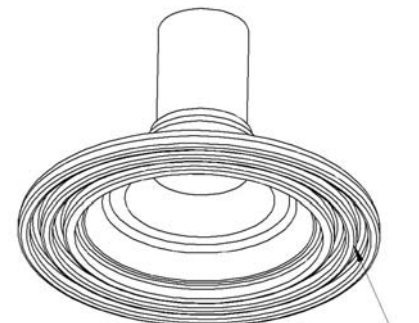
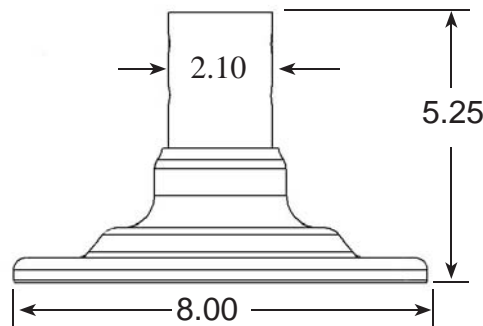
- Dimensions of Tube:  
Tube Heights: 18, 24, 28, 36, 42 and 48 Inches.  
Tube Width: 2.25", 3" Flat and 3"
- BOOMERANG Delineator is a two-piece design consisting of a HDPE tube and reboundable base fastened together with two zinc-plated Hex Bolts and Nyloc Nuts.
- BOOMERANG RB for maximum flexibility of delineators, channelizers and markers;  
BOOMERANG HB for maximum reboundability & stability of tubes with signs or panels.
- Tube Colors: Fluorescent Orange, Yellow and White. Other colors available upon request.
- Tube Material: High Density Polyethylene, UV-Stabilized. 100% Recycled Content!
- Base Colors: BOOMERANG RB black base; BOOMERANG HB black base.
- Base Material: Specially Formulated Polymer made with 100% Recycled Content.
- Bolt-Down Plate Material: ABS made with 100% Recycled Content.
- Round tubes provide 360 degree visibility. Flat tubes provide 180 degree visibility.
- All sheeting complies with ASTM 4956.01 standards.
- NTPEP Tested: Report 6015.1



**BOLT-DOWN ASSEMBLY  
(OPTIONAL - NOT INCLUDED)**



Bolt-Down Plate measurements:  
8.50" L X 8.50 " W X 1.06" H



**Surface Mount Ribs**

