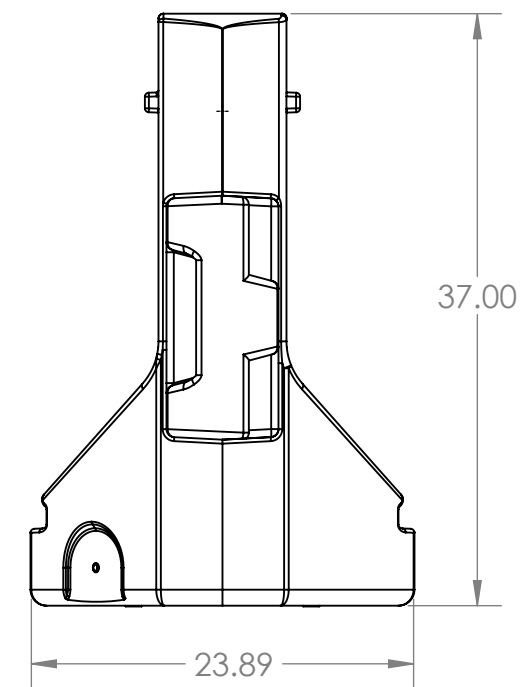
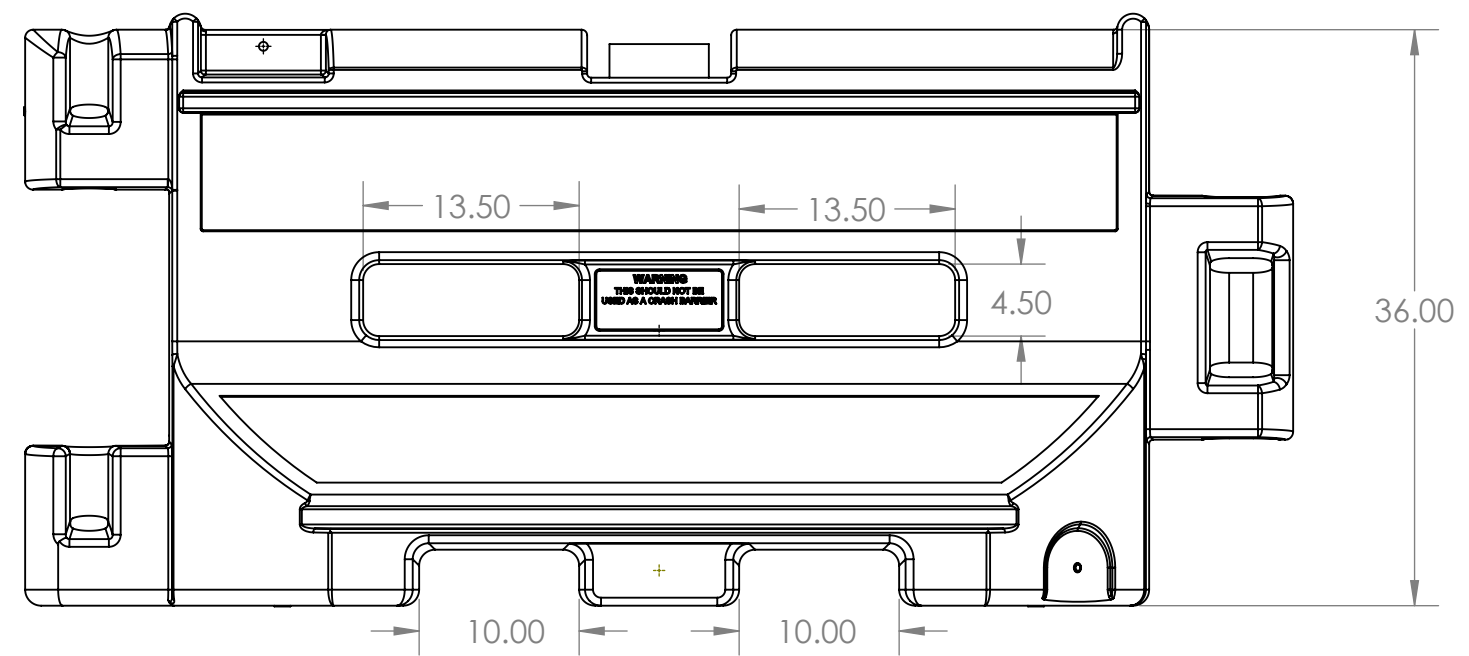
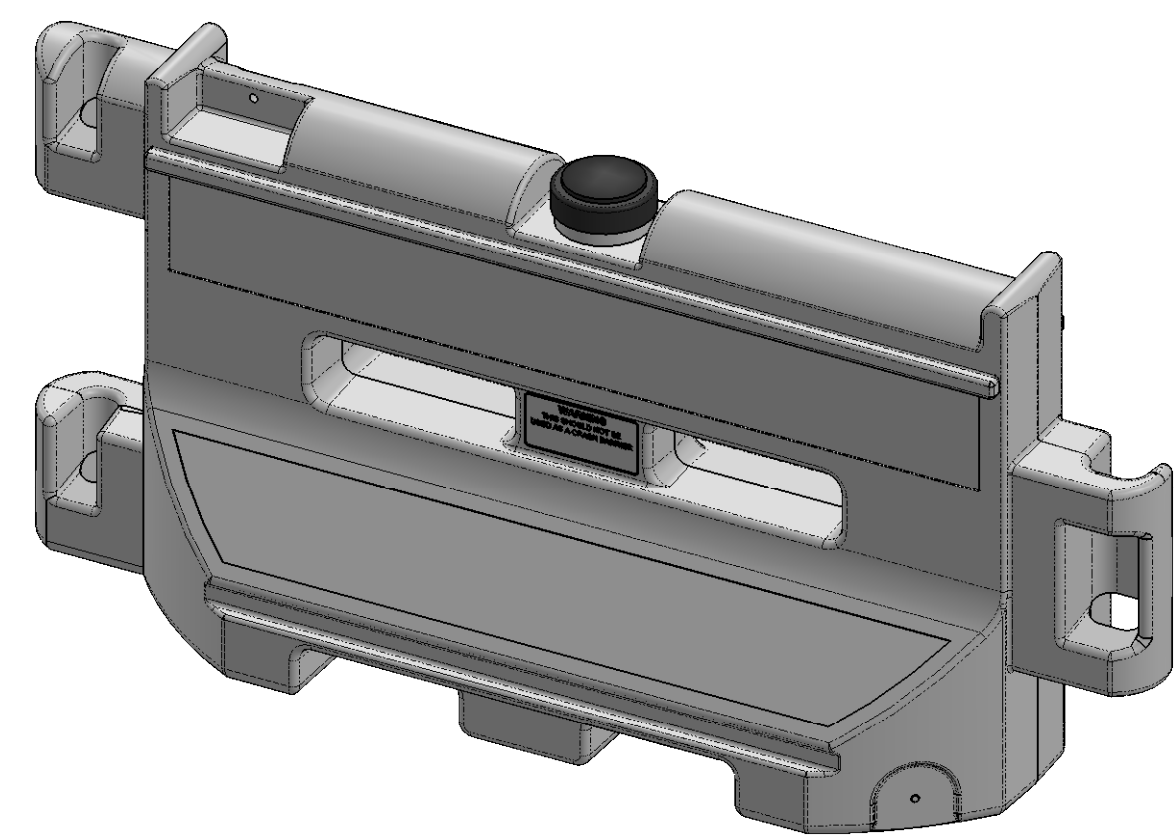
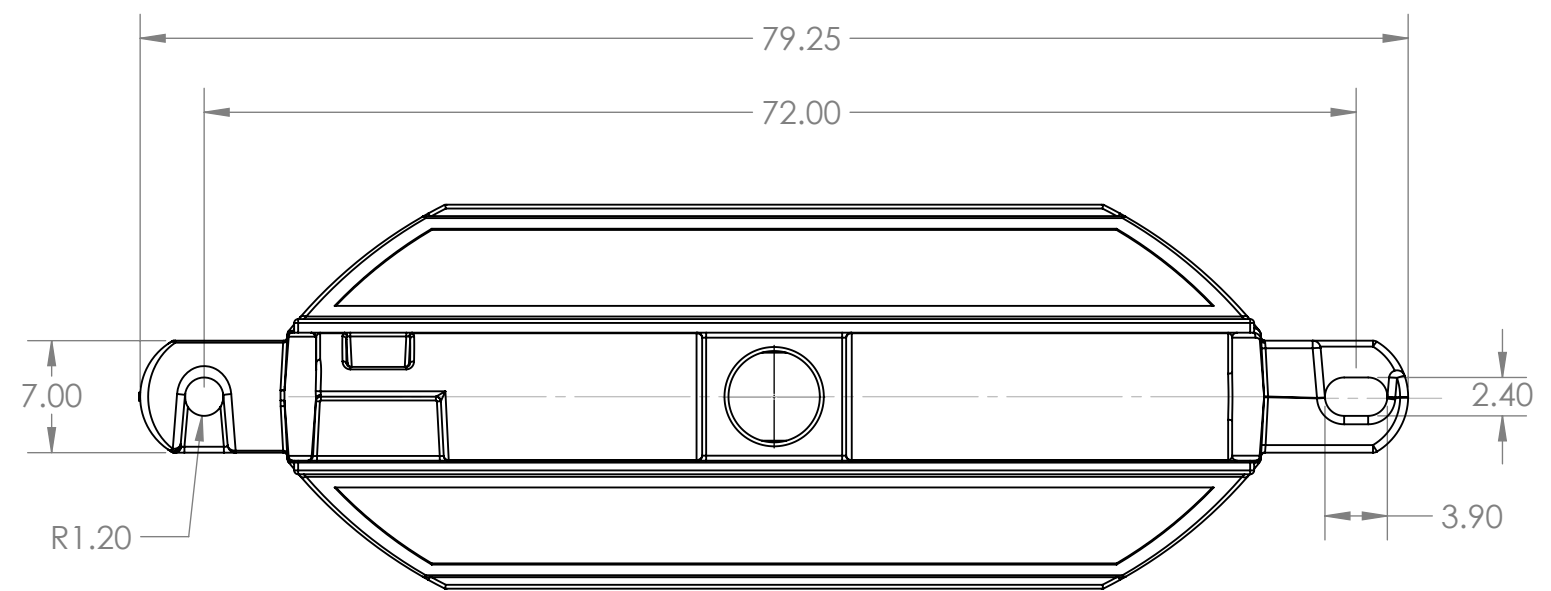


4

3

2

1



Inches of Water in Barricade	US LBS.	US GAL.	CU FT
16.6 (max)	600	63.47	8.48
15	574	60.4	8.07
12	508	52.4	7.00
9	410	40.72	5.44
6	282	25.38	3.39
3	156	10.29	1.38
0	71	n/a	n/a

NOTES:
 1) THE WARNING LABEL READS: "WARNING, THIS SHOULD NOT BE USED AS A CRASH BARRIER."

PROPRIETARY AND CONFIDENTIAL
 THE INFORMATION CONTAINED IN THIS DRAWING IS THE SOLE PROPERTY OF REMCON PLASTICS, INC. ANY REPRODUCTION IN PART OR AS A WHOLE WITHOUT THE WRITTEN PERMISSION OF REMCON PLASTICS, INC IS PROHIBITED.

UNLESS OTHERWISE SPECIFIED:
 DIMENSIONS ARE IN INCHES
 TOLERANCES:
 FRACTIONAL ±1/64
 ANGULAR: ±1/2 DEG
 TWO PLACE DECIMAL ±.01
 THREE PLACE DECIMAL ±.005

MATERIAL
 Polyethylene
 FINISH
 SHOT PEENED
 DO NOT SCALE DRAWING

NAME	BRS
DATE	9-22-17
DRAWN BY:	BRS
APPROVED BY:	

TITLE:
 -
 2661 Remcon Guardsafe 36 Barricade

REMCON 208 Chestnut Street
 PLASTICS, INCORPORATED Reading Pa, 19602
 DWG. NO. 017003672001xxx
 SIZE **B** SHEET 1 OF 1 REV B

4

3

2

1