

# WORKS BARRICADE WOOD AND ANGLE STEEL TYPE III BARRICADE TD2500 MODEL

CERTIFIED TO MEET THE CRASHWORTHY  
REQUIREMENTS OF NCHRP-350



## FEATURES:

- Type III barricades can be purchased as assembled units or component parts. Legs and boards can be purchased separately. All barricade components are interchangeable.
- Durable hot rolled carbon galvanized steel upright frame and base stand with 2"x2" square tubing receiver socket.
- Distinctive base design allows for short term or for permanent fastening.
- Designed to accommodate two warning lights.
- Plywood boards can accommodate reflective sheeting on both sides of the boards.

**NCHRP350 COMPLIANT: WZ-54 & WZ-85  
MUTCD COMPLIANT**

**All Sheeting is ASTM 4956.01 compliant.**

**COLORS AVAILABLE :**

The TD2500 Works Type III Boards are currently available in White. Three D Traffic Works can manufacture this product to your desired color.

## GENERAL INFORMATION:

*General information is listed on the reverse side. The measurements provided are intended only as a source of information. They are given without guarantee and are not classified as a warranty. A specification will be sent to you upon request.*



**TRANSUPPLY**

Transportation Supply | 4701 Natick Ave. Suite 215, Sherman Oaks, CA 91403  
(866) 930-4604 | [sales@trans-supply.com](mailto:sales@trans-supply.com) | [www.trans-supply.com](http://www.trans-supply.com)





**TRANSUPPLY**

Transportation Supply | 4701 Natick Ave. Suite 215, Sherman Oaks, CA 91403  
(866) 930-4604 | [sales@trans-supply.com](mailto:sales@trans-supply.com) | [www.trans-supply.com](http://www.trans-supply.com)

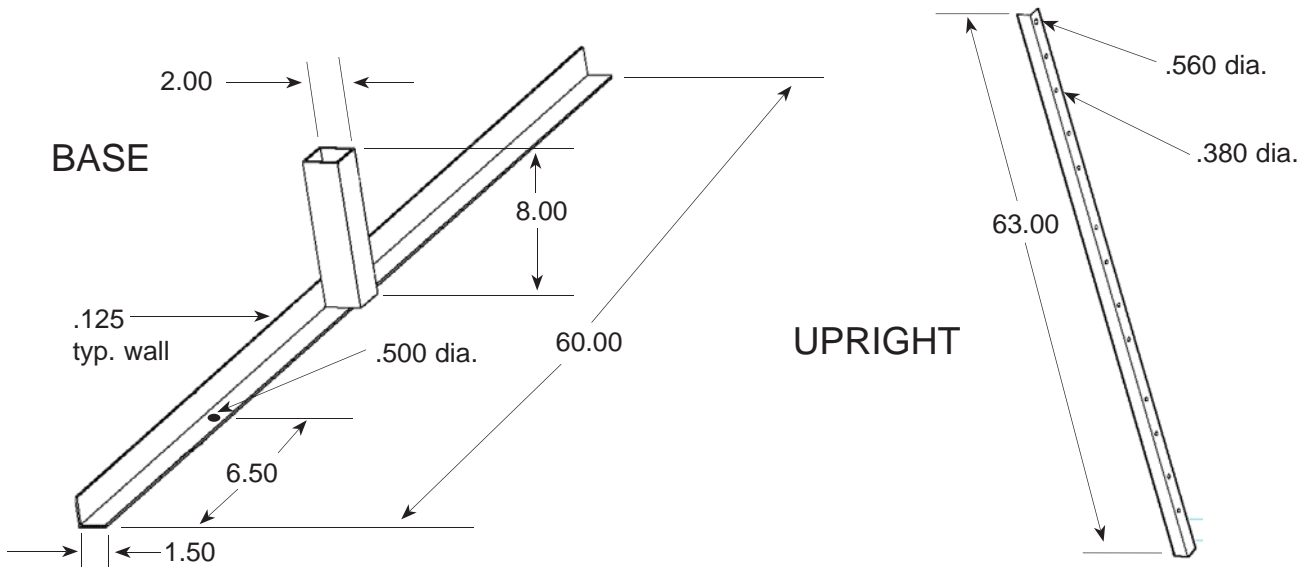
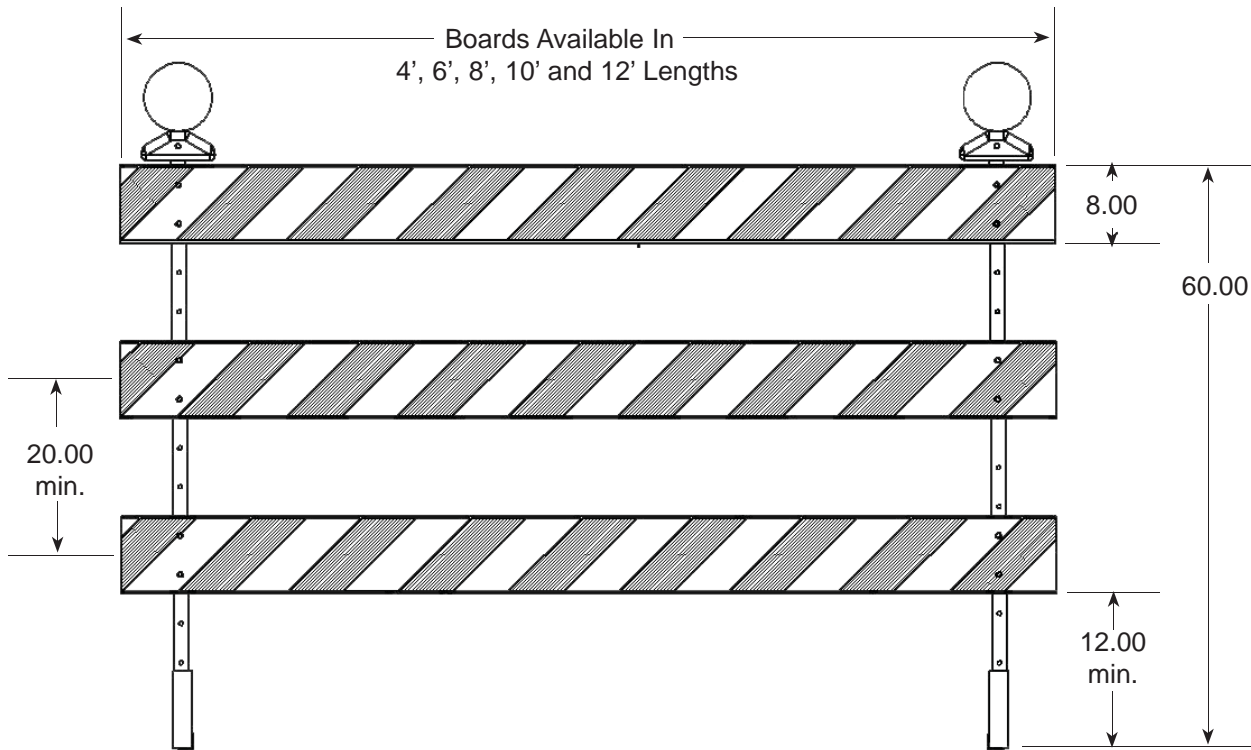


## TD2500 MODEL WOOD AND STEEL TYPE III BARRICADE SPECIFICATIONS

- Upright Dimensions:  
Height: 1.5"  
Width: 1.5"  
Length: 63.0"  
Weight: 6.5 lbs.

- Base Dimensions:  
Height: 1.5"  
Width: 1.5"  
2"x2" Riser: 8 Inches  
Length: 60.0"  
Weight: 8.5 lbs.

- Frame Material: Hot Rolled High Carbon Galvanized Steel.  
Board Material: 3/4" Plywood.
- Panels Available with Chevron Sheeting:  
Left or Right Hand Reflective Sheeting,  
Divergent Striping or Same Direction.



**TRANSUPPLY**

Transportation Supply | 4701 Natick Ave. Suite 215, Sherman Oaks, CA 91403  
(866) 930-4604 | [sales@trans-supply.com](mailto:sales@trans-supply.com) | [www.trans-supply.com](http://www.trans-supply.com)