

GEMSTONE™ VERTICAL PANEL

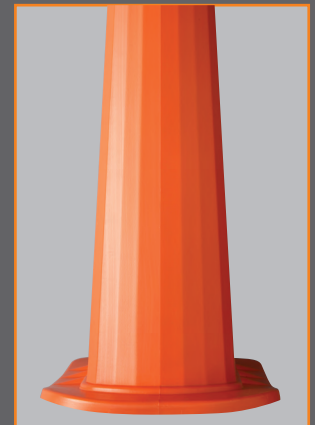
The most space efficient
barricade on the street -
in transit and in storage!



- Designed to withstand repeated impacts with little or no damage to vehicles or unit
- Oversized handle with comfort grip - can be picked up easily, even with light attached
- Stackable with or without base
- Recessed panel for reflective sheeting, 8" W x 36" H
- Gemstone sidewall provides strength & durability
- Flashing light mounting receptacle
- Available in orange and white
- Solid recycled rubber bases with carrying handles come in two sizes: 20 lbs. and 30 lbs.
- NCHRP-350 Accepted, Meets MUTCD Standards



High Visibility

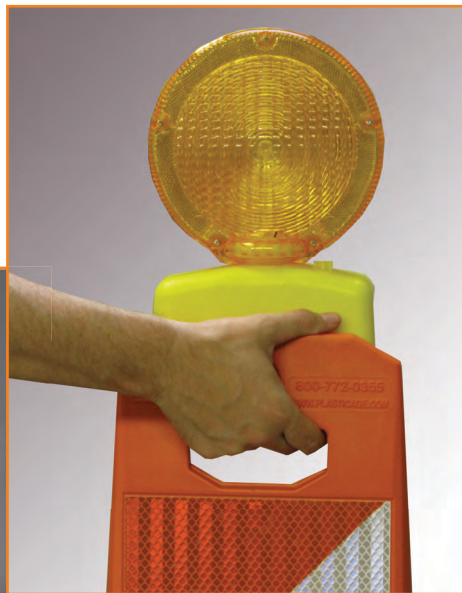
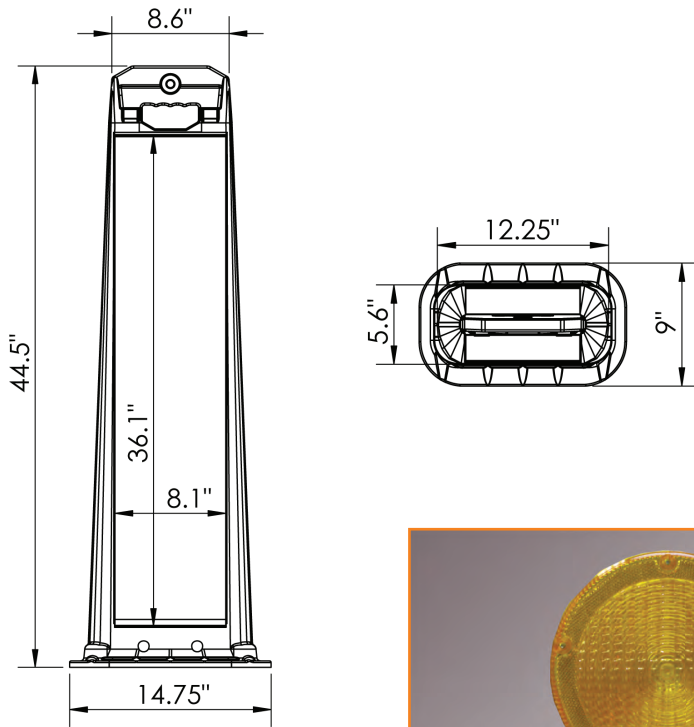


Gemstone sidewall design adds strength & durability

GEMSTONETM VERTICAL PANEL

Saves space in use, in transit and in storage!

The most visible and space efficient barricades available, Gemstones take up half the space of traditional barricades, which means less storage space taken and a minimal footprint during use.



Specs

Composition	Low Density Polyethylene
Dimensions	44.5"H x 14.75"W
Sheeting Area Dimension	8.1" x 36.1"
Color	Orange or White
Weight	4 lbs.
Reflective Sheeting	Available in all grades in these sizes: 8" x 24" 8" x 34" 8" x 36"

Bases



20 lb. base 30 lb. base

Black rubber bases with carrying handles are made from recycled materials.



Transportation Supply LLC
1401 Lavaca Street #40
Austin, TX 78701
(866) 930-4604
sales@trans-supply.com
www.trans-supply.com

MADE IN THE USA