

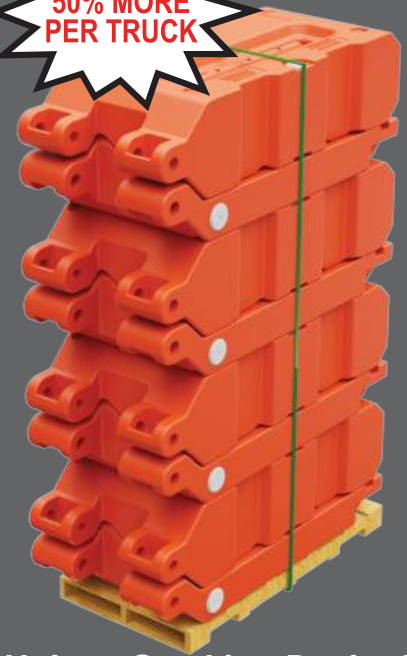
# HYDROCADE™ WATER BARRICADE SYSTEM

## TL-3 Longitudinal Channelizing Device\*

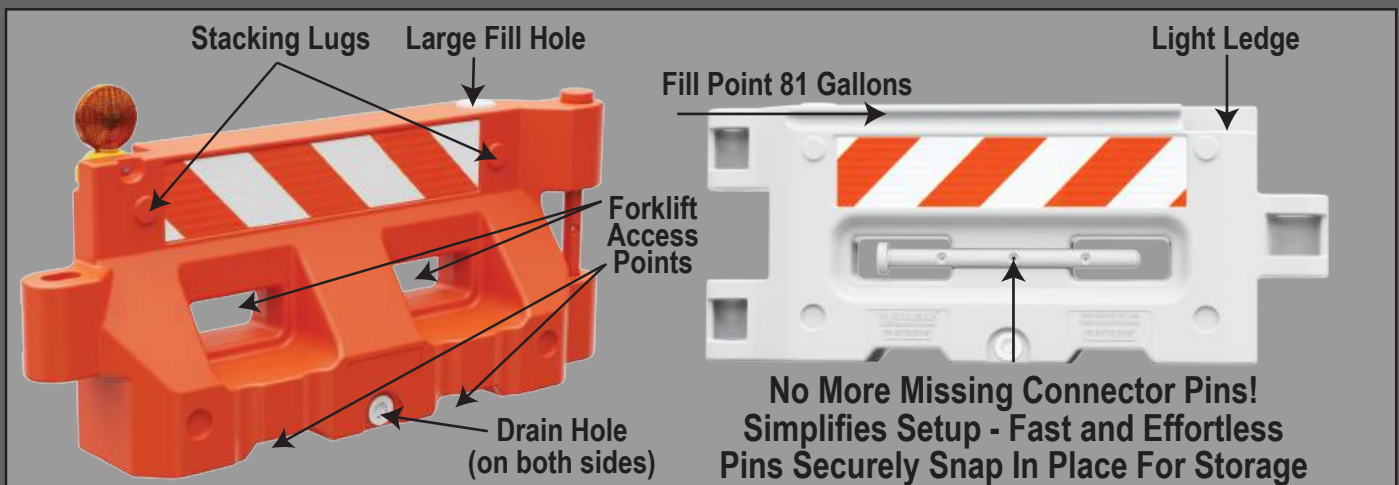


- 72"L x 32"H longitudinal channelizing device (182.9 cm L x 81.3 cm H)
- Unique stacking design allow for up to 50% more units per truckload
  - 200 units per truck, 8 units per pallet
- Durable construction, impact resistant
- Flat obstruction free side, position to eliminate pedestrian trip hazard
- Conforms to any roadway design
  - turns 90° and adjusts to curbs up to a 6° incline
- Connector pins snap onto barricade center for storage and transport
  - sturdy and tough pins, built with strength-enhancing channels
- Fill with 81 gallons of water for LCD deployable weight of 745 lbs.
  - every unit is leak tested
- Two forklift access areas
- Stacking lugs keep stacked units from sliding
- Light shelf for standard barricade light
- Accepts optional fence panels in place of connector pins
- Areas for retroreflective striped sheeting
  - 44" x 8" (111.8 cm x 20.3 cm) on both sides
- Standard in orange and white, custom colors available
- Crash tested for TL-3 MASH Acceptance, submitted to FHWA\*
- Meets MUTCD Standards

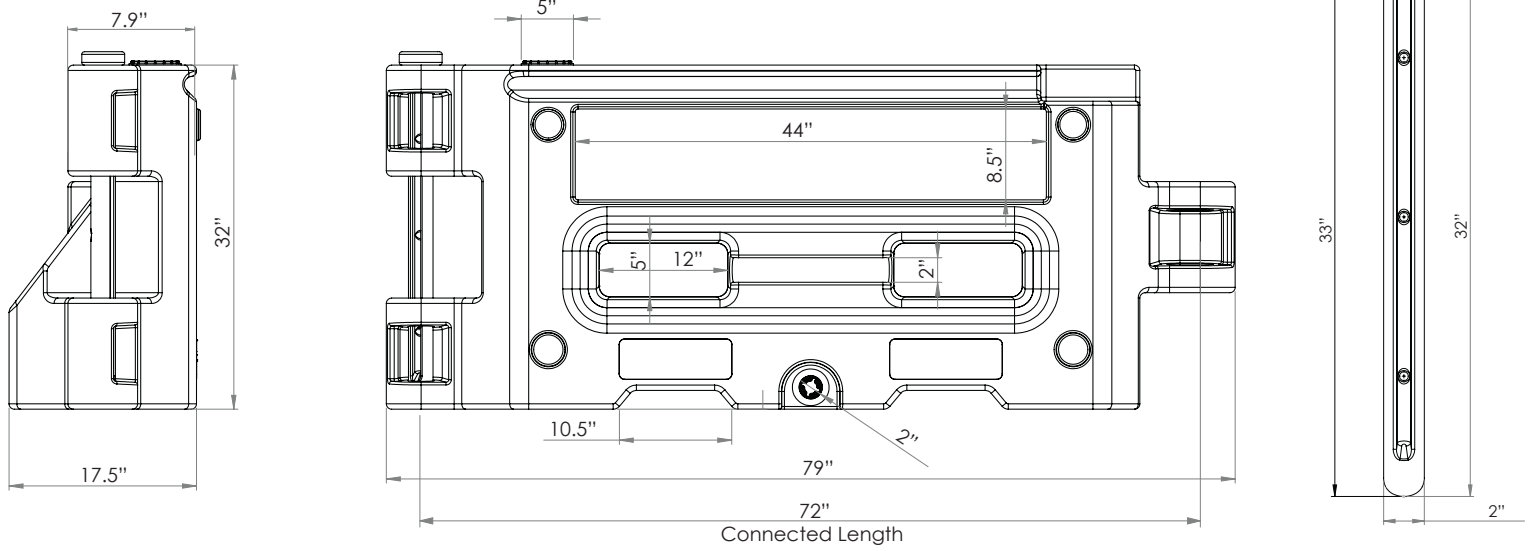
**UP TO  
50% MORE  
PER TRUCK**



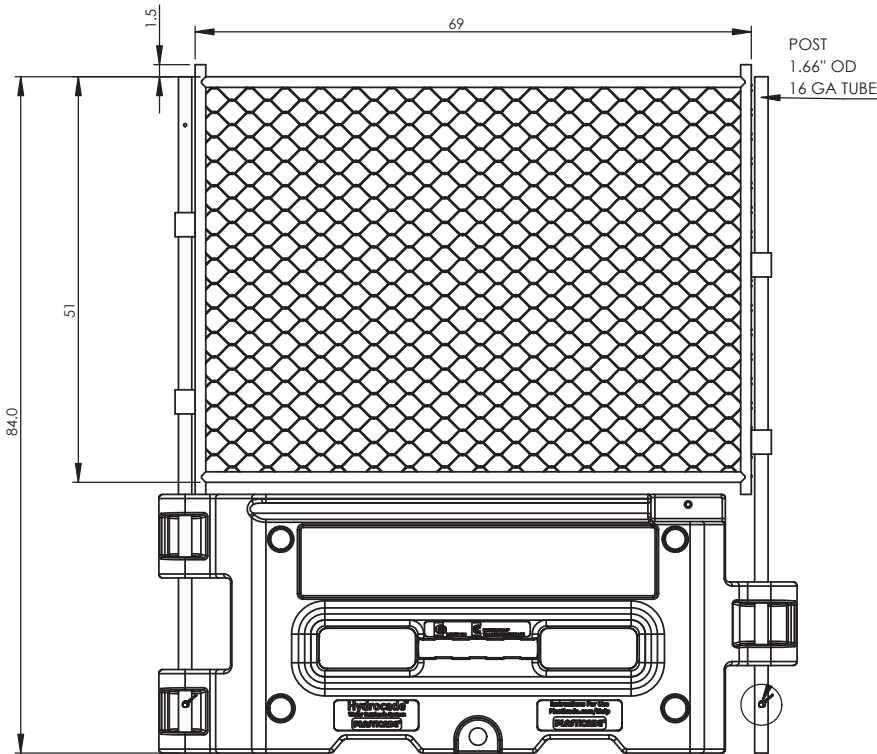
**Unique Stacking Design!  
8 Units/Pallet  
200 Units/Truck**



# HYDROCADE™ WATER BARRICADE SYSTEM



## 7' Fencing (8' also available)



## Specs

Composition	Medium density polyethylene
Dimensions	79" L x 17.5" W x 32" H 200.7 cm L x 44.5 cm W x 81.3 cm H Top Width: 8" (20.32 cm)
Weight	Empty - 67 lbs.(30.39 kg) LCD Deployed Weight 745 lbs. (338 kg.) Fill with 81.24 gallons of water (307.5 L)
Pin Weight	1.8 lbs. (0.82 kg)
Wall Thickness	.25 +/- 20% (0.635 cm)
Retroreflective Sheeting	Striped sheeting in engineer grade or high intensity prismatic grade
Color	Orange and white

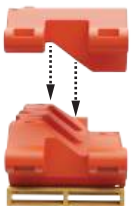
Need Drum Bung/Plug Wrench to fit 3/4" and 2" bungs for removal and tightening of drain plug (not included)



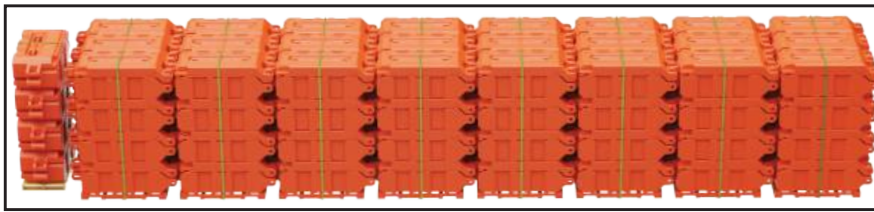
Available for purchase  
Part # HYD-WRENCH

## Optional fencing replaces connector pins

(Note: Hydrocade With Fencing Has Not Been MASH Tested)



Compact Stacking



200 Units in 53' Truck

This device is not a barrier and should not be used where a re-directive device is required or desired.

Patents Pending  
**MADE IN THE USA**



Transportation Supply LLC  
1401 Lavaca Street #40, Austin, TX 78701  
(866) 930-4604  
sales@trans-supply.com  
www.trans-supply.com