



Solar Light Tower - 1,000w

Light Tower Series



ABOUT OUR TOWER

The Sunray™ Solar Light Tower incorporates our latest technology in portable solar lighting. Four heavy duty LED light fixtures with ultra-high intensity, state-of-the-art LED's and replaceable modules to keep future replacement cost down. Proprietary engineered LED drivers provide efficient power to the LED lamps with three brightness settings from which to select. This gives the user complete control over brightness vs. battery performance. Select from 40W, 85W or 160W settings and up to 105,000 lumens.

These high performance light fixtures are designed to maximize light utility with very little "lost" light. To maximize battery life, the control is equipped with several selections including automatic on/off at dusk and dawn and settable run times from 3 to 12 hours. To maximize charge time we made the solar array tiltable to 40°.

Easy-to-read meters let you quickly determine the best orientation to collect sunlight. A built-in charger with an external charge receptacle makes it easy to charge the maintenance-free battery bank if needed.

Features

- ✓ No fuel, no fuel trips, no fuel spills, no fuel bills
- ✓ Virtually maintenance free: no engine, no alternator
- ✓ Power saving mode
- ✓ Optional Motion Sensor
- ✓ Low battery power indicator visible from a distance

Applications



TRAFFIC

Can be easily maneuvered, set up and controlled to work effectively in most traffic settings



CONSTRUCTION

A fitting option for construction conditions where reliable lighting sources are needed



MINING

Works well, both in function and sustainability, in many mining scenarios



UTILITIES

Multipurpose use for utility organizations that rely on functional, sturdy equipment



SECURITY

Ideal for temporary locations with either poor, substandard or no lighting



Mast

Mast height up	20'
Mast down	10'
Mast base	5" square, 3/16" wall, easy glide, with welded turn handles
Mast type	Three stage with light stored vertically, 360° rotation
Mast cable	1/4", 3/16" wire rope, 4,200 breaking strength
Winch type	2500 lb, double disc, self-braking, electric (optional)

Lamps

Type	High intensity LED's
Housing	Formed Aluminum
Orientation	Each lamp tilts and turns, all lamps can tilt 90° - 180° to create down lighting
Lens	Molded 60°
Control	Lamps can be turned on individually

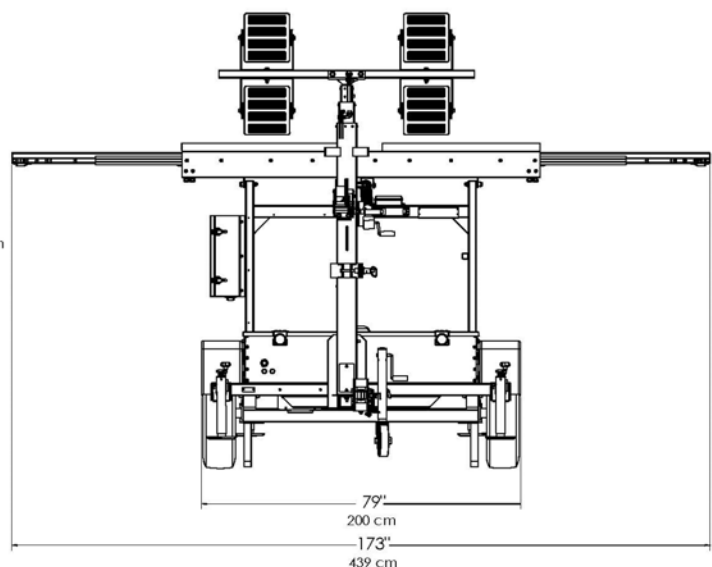
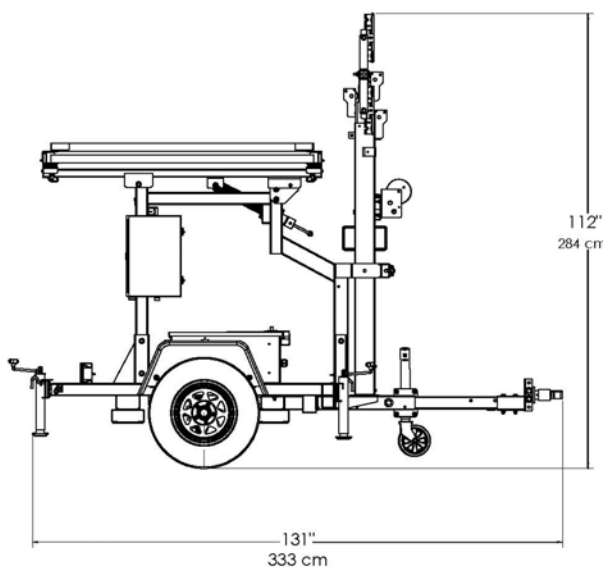
Power Source

Collectors	Polycrystalline, nested in steel frame, anti-theft fasteners
Output	24v
Meters	Momentary, LED type, one for each set of collector
Collector tilt	0° to 40° via a manual crank
Charger	30A, 24v, fan cooled, external plug
Batteries	AGM sealed, 12v wired for 24v
Battery controller	20A, PWM type
Photocell	Manual or dusk to dawn operation
Timer	3, 6, 9 and 12 hours plus Monday through Sunday

Trailer

Width Across Fenders	78"
Length	138" (750 Model); 128" (1000 Model)
Axle	3500 lb
Tires And Wheels	ST205/75D15 load range C
Hitch	2" ball coupler with other options
Draw Bar	3" square tube, 3/16" wall, removable
Weight	2250 lbs
Battery Box	14 ga. formed steel, anti-theft, dual no shackle solid security locks
Jacks	(4) swing type, 2000 lb ea., (1) wheel type on draw bar

Dimensions



Specifications subject to change any time without notice.

