



# Solar Light Tower - 750w

Light Tower Series



## ABOUT OUR TOWER

The Sunray™ Solar Light Tower incorporates our latest technology in portable solar lighting. Four heavy duty LED light fixtures with ultra-high intensity, state-of-the-art LED's and replaceable modules to keep future replacement cost down. Proprietary engineered LED drivers provide efficient power to the LED lamps with three brightness settings from which to select. This gives the user complete control over brightness vs. battery performance. Select from 40W, 85W or 160W settings and up to 105,000 lumens.

These high performance light fixtures are designed to maximize light utility with very little "lost" light. To maximize battery life, the control is equipped with several selections including automatic on/off at dusk and dawn and settable run times from 3 to 12 hours. To maximize charge time we made the solar array tiltable to 40°.

Easy-to-read meters let you quickly determine the best orientation to collect sunlight. A built-in charger with an external charge receptacle makes it easy to charge the maintenance-free battery bank if needed.

## Features

- ✓ No fuel, no fuel trips, no fuel spills, no fuel bills
- ✓ Virtually maintenance free: no engine, no alternator
- ✓ Power saving mode
- ✓ Optional Motion Sensor
- ✓ Low battery power indicator visible from a distance

## Applications



### TRAFFIC

Can be easily maneuvered, set up and controlled to work effectively in most traffic settings



### CONSTRUCTION

A fitting option for construction conditions where reliable lighting sources are needed



### MINING

Works well, both in function and sustainability, in many mining scenarios



### UTILITIES

Multipurpose use for utility organizations that rely on functional, sturdy equipment



### SECURITY

Ideal for temporary locations with either poor, substandard or no lighting



## Mast

|                |   |
|----------------|---|
| Mast height up | 20'   |
| Mast down      | 10'   |
| Mast base      | 5" square, 3/16" wall, easy glide, with welded turn handles |
| Mast type      | Three stage with light stored vertically, 360° rotation     |
| Mast cable     | 1/4", 3/16" wire rope, 4,200 breaking strength              |
| Winch type     | 2500 lb, double disc, self-braking, electric (optional)     |

## Lamps

|             |  |
|-------------|--|
| Type        | High intensity LED's   |
| Housing     | Formed Aluminum  |
| Orientation | Each lamp tilts and turns, all lamps can tilt 90° - 180° to create down lighting |
| Lens        | Molded 60°   |
| Control     | Lamps can be turned on individually  |

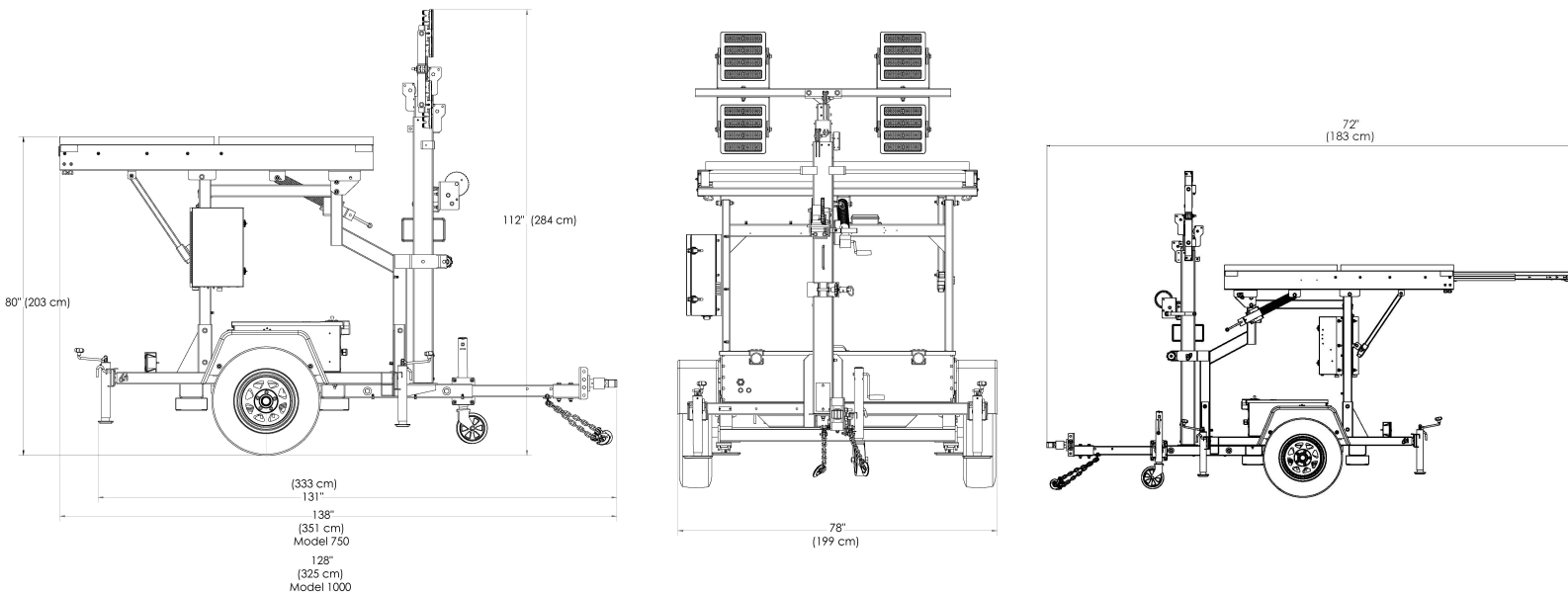
## Power Source

|                    |  |
|--------------------|--|
| Collectors         | Polycrystalline, nested in steel frame, anti-theft fasteners |
| Output             | 24v  |
| Meters             | Momentary, LED type, one for each set of collector           |
| Collector tilt     | 0° to 40° via a manual crank                                 |
| Charger            | 30A, 24v, fan cooled, external plug                          |
| Batteries          | AGM sealed, 12v wired for 24v                                |
| Battery controller | 20A, PWM type  |
| Photocell          | Manual or dusk to dawn operation                             |
| Timer              | 3, 6, 9 and 12 hours plus Monday through Sunday              |

## Trailer

|                      |   |
|----------------------|---|
| Width Across Fenders | 78"   |
| Length               | 138" (750 Model); 128" (1000 Model)                                   |
| Axle                 | 3500 lb   |
| Tires And Wheels     | ST205/75D15 load range C  |
| Hitch                | 2" ball coupler with other options                                    |
| Draw Bar             | 3" square tube, 3/16" wall, removable                                 |
| Weight               | 2250 lbs  |
| Battery Box          | 14 ga. formed steel, anti-theft, dual no shackle solid security locks |
| Jacks                | (4) swing type, 2000 lb ea., (1) wheel type on draw bar               |

## Dimensions



Specifications subject to change any time without notice.

